

SPIRAL WOUND MANWAY & HANDHOLE GASKETS

Gaskets for boiler handhole, tubecap and manhole covers incorporating the unique Flexitallic Spiral Wound profile and specially manufactured with graphite filler, are ideal for corrosive, high pressure or temperature duties. Flexitallic's anticipation of developments in modern steam generating and engineering equipment and ability to design to specific requirements are the guarantee of the perfect seal at minimum maintenance cost with consistently high standards of performance.

- High safety factor related to specific operating conditions
- Resilient under concentrated and fluctuating loads
- Compression loadings proportional to safe stresses of cover assemblies
- Prolonged trouble-free service
- Reduced seat cleaning time



Elliptical Handhole Gasket



Diamond Shaped Handhole Gasket



Elliptical Manway Gasket



Style M Gaskets



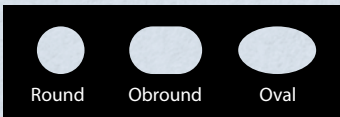
Style MC Gaskets

STYLE M & MC & MCS

Spiral Wound Gaskets for Boiler Manhole Cover Assemblies

The manhole gasket spiral constructions incorporate modified compression values to provide seating loads within the normal range of cover assemblies.

SIZE/RANGE SPECIFICATION: Available in circular, obround, and oval shapes to suit standard manhole plate configurations.



Round

Obround

Oval



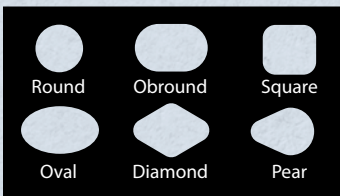
Style T Gaskets

STYLE T

Spiral Wound Gaskets for Boiler Handhole and Tubecap Assemblies

The design features of the basic spiral wound construction alleviate the need for sealing compound. Particularly suitable where old and pitted faces have rendered other gaskets ineffective.

SIZE/RANGE SPECIFICATION: Available in several standard shapes - Supplied in thicknesses of 3.2mm (0.125in.) or 4.5mm (0.175 in.). The standard thickness of 4.5mm (0.175in.) is recommended for use in assemblies where the seat is relatively broad and bolting load is low.



Round

Obround

Square

Oval

Diamond

Pear

MATERIALS

Standard materials are Type 304 Stainless Steel and graphite windings. Special materials to suit specific operating conditions are available.

TO ORDER

Submit the following with all inquiries: 1) Name of boiler or equipment manufacturer; 2) Gasket style; 3) Dimensions of gasket; 4) Gasket thickness; 5) Flange width of gasket; 6) Pressure service rating; 7) Gasket material preference

STYLES M & MC

For Manhole Cover Assemblies

STYLES M & MC FOR MANHOLE COVER ASSEMBLIES

STYLE	NOMINAL I.D. DIMENSIONS (IN)	THICKNESS (IN)	FLANGE WIDTH (IN)
M-Oval	10 x 15	0.250	15/16
M-Oval	10 x 16	0.250	15/16
M-Oval	11 x 15	0.250	15/16
MC-Oval	11 x 15	0.250	13/16
M-Oval	11 x 15	0.175	3/4
M-Oval	11 x 15	0.175	15/16
M-Oval	11 x 15	0.175	1/2
M-Oval	11 x 15	0.175	1-1/4
M-Oval	11 x 15	0.250	1-1/4
M-Obround	11-1/16 x 14-7/8	0.250	15/16
M-Obround	11-7/16 x 15-1/16	0.250	15/16
M-Oval	12 x 16	0.250	15/16
MC-Oval	12 x 16	0.250	13/16
M-Oval	12 x 16	0.175	1/2
M-Oval	12 x 16	0.175	3/4
M-Oval	12 x 16	0.175	15/16
M-Oval	12 x 16	0.175	1-1/4
M-Oval	12 x 16	0.250	1-1/4
M-Obround	12 x 16	0.250	15/16
M-Obround	12 x 16	0.250	1-1/4
MC-Oval	12-1/8 x 16-1/8	0.250	13/16
M-Obround	14 x 16	0.175	3/4
M-Round	14	0.175	3/4
M-Round	16-1/16	0.175	3/4

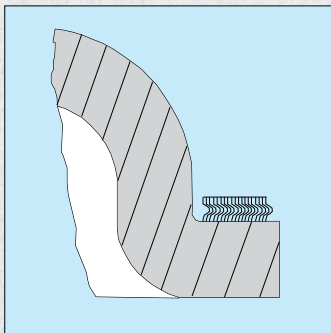
NOTE: When ordering gaskets specify operating pressure and temperature and type of steel desired.

STYLE MCS SPIRAL WOUND GASKETS

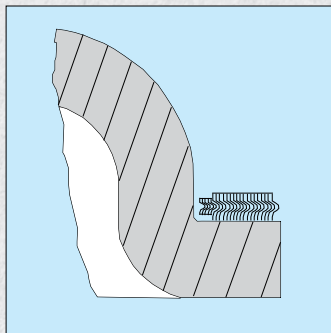
In keeping with our tradition of taking a leadership role in the gasket industry we are pleased to introduce the style MCS spiral wound gasket for use on boiler manhole cover assemblies. The style MCS gasket is an exclusive design, consisting of a spiral wound gasket with an integral solid metal inner ring. The spiral wound sealing element provides resilience, strength, blowout resistance and superior sealability. The solid metal ring prevents over-compression of the gasket, which is especially important on high pressure boilers. In addition, the rings provide stability and facilitate proper positioning of the gasket on the cover which prevents pinching, shouldering, and other gasket damage resulting from misalignment, irregular plate contours and fillets.

Style MCS spiral wound gaskets are available in a wide range of materials for standard, as well as special design manhole cover assemblies, in pressure classes of 0-499 psi, 0-999 psi, and 1000 psi and higher. For additional information or style MCS spiral wound gaskets, contact the Ragco location nearest you.

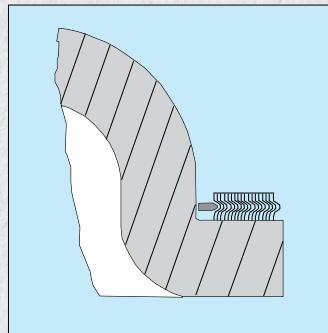
STYLE M



STYLE MC



STYLE MCS



* RAGCO supports the autonomy of its locations to select the best products to service their markets. Subtle variations of these specification may exist. Contact your RAGCO affiliate for confirmation.

STYLE T FOR BOILER HANDHOLE AND TUBECAP ASSEMBLIES

0-499 lbs, 0-999 lbs, 1000 lbs and above. Specify operating temperature, pressure and type of steel.

IDENTIFICATION	SHAPE	NOMINAL I.D. (IN)	FLANGE WIDTH (IN)	IDENTIFICATION	SHAPE	NOMINAL I.D. (IN)	FLANGE WIDTH (IN)
American Engineering	Obround Round	3-5/16 x 3-11/16 3-5/16	3/16 3/16	Foster Wheeler (con't)	Round Round Rectangular	3-1/8 or 3-1/16 4-1/8 or 4-1/16 4-15/16 x 5-3/16	3/8 3/8 7/32
Babcock and Wilcox				Geary			
No.41	Obround	2-9/64 x 2-33/64	5/32	31/2"	Obround	3-13/16 x 4-5/8	3/8
No.40	Diamond	3-3/8 x 3-3/4	3/16	4"	Obround	4-1/4 x 5-1/4	7/16
No.48	Oval	3-13/16 x 4-3/4	7/32	4" (.285" Thick)	Obround	4-1/4 x 5 1/4	7/16
No.79	Obround	4-5/32 x 4-25/32	1/4	Heine	Obround	3-5/8 x 4-5/8	3/8
No.24	Oval	4-1/2 x 5-1/2	7/32	Round	Round	3-5/8	3/8
No.76	Oval	5-1/32 x 5-31/32	1/4	International	Oval	2-19/32 x 3-19/32	7/16
2" Econ.	Round	1-5/8	1/4	Keeler	Diamond	4-1/4x 5-1/4	3/8
No.47	Round	2-1/32	3/16	Round	Round	4-1/4	3/8
No.32	Round	3	1/4	Obround	Obround	3 x 4	3/8
No.70	Round	3-9/32	3/16	Murray	Obround	3-5/8 x 4-9/16	3/8
No.89	Round	3-7/16	5/32	Obround	Obround	3-5/8 x 4-9/16	7/16
No.92	Round	4-1/32	1/4	Obround	Obround	4-1/32 X 4-29/32	3/8
No.28	Rectangular	4-13/16 x 5	7/32	Oil Field	Obround	2-1/2 x 3-1/2	3/8
Badenhausen (See Riley Stoker)				Oval	Oval	3 x 4	3/8
Bros				Oval	Oval	3-1/2 x 4-1/2	3/8
HB-5 and HB-10	Round	2-1/4	1/4	Oval	Oval	4-1/16 x 5-1/16	7/16
HB-6 and HB-11	Round	3-3/8	1/4	Orr & Sembower	Oval	2-23/32 x 3-21/32	3/8
HB-12	Round	4-1/4	1/4	Oval	Oval	3-13/32 x 4-13/32	3/8
HB-8 and HB-13	Obround	3-3/8 x 4-1/4	1/4	Pacific	Round	1-1/2	1/2
HB-14	Obround	4-1/4 x 5	1/4	Round	Round	2	1/2
Bucyrus-Erie				2-1/2		2-1/2	1/2
Q227	Obround	3 x 4-1/2	3/8	Page			
O260	Oval	4 x 6	7/16	Larrabee	Oval	2-27/32 x 3-29/32	3/8
O208	Round	2-1/2	1/4	Junior	Oval	3-1/8 x 4-1/8	3/8
Casey-Hedges	Obround	4-1/4 x 5-1/8	3/8	Page	Oval	3-1/8 x 4-1/4	3/8
Cleaver-Brooks	Obround	2-27/32 x 3-19/32	5/16	P-B	Oval	3-5/16 x 4-5/16	3/8
	Obround	3-9/32 x 4-17/32	3/8	Drum	Oval	3-25/32 x 5-13/32	5/8
	Obround	4 x 6	3/8	Consol	Round	2-3/16	3/8
Combustion Engineering				Riley Stoker			
24N-L1206	Diamond	3 x 3-7/8	1/4	W-C22	Oval	3-17/32 x 4-17/32	5/16
29N-L839	Diamond	3-3/8 x 4-1/4	1/4	W-C2	Obround	3-23/32 x 5-23/32	11/32
30N-L866	Diamond	3-5/8 x 4-1/2	1/4	W-C16	Round	1-31/32	3/8
33N-L1205	Diamond	3-3/4 x 4-5/8	1/4	W-C6	Round	3-9/32	5/16
31N-L579	Diamond	4-1/4 x 5-1/8	1/4	W-C9	Square	4 x 4	11/32
21N-L1291	Obround	2-1/8 x 2-1/2	5/32	Square	Square	5-1/2 x 5-1/2	3/8
22N	Oval	2-1/8 x 2-5/8	7/32	Springfield	Oval	3-17/32 x 4-17/32	5/16
23N	Obround	2-25/32 x 3-13/32	7/32	Oval	Oval	4-1/16 x 5-1/16	3/8
25N-L1 278	Obround	3-1/8 x 4-1/8	3/16	Square	Square	5-1/2 x 5-1/2	3/8
27N	Diamond	3-3/8 x 3-3/4	3/16	Square	Square	7-3/8 x 7-3/8	5/8
28N-L1277	Obround	3-3/8 x 3-7/8	3/16	Superheater	Obround	2-21/32 x 3-9/32	15/64
32N	Oval	4-1/2 x 5-1/2	7/32	Obround	Obround	3-3/32 x 4-3/32	1/4
1N-L1272	Round	1-1/2	3/16	Obround	Obround	3-11/32 x 3-23/32	3/16
7N-L1131	Round	1-3/4	3/16	Obround	Obround	3-3/8 x 3-3/8	1/4
3N-L1274	Round	2-5/8	7/32	Round	Round	15/16	3/16
4N-L740	Round	3-1/8	1/4	Round	Round	3-3/32	1/4
L741	Round	3-3/8	1/4	Union			
5N-L902	Round	3-5/8	1/4	3 1/4"	Pear	3-7/16 x 4-7/16	3/8
5N-L744	Round	4-1/8	1/4	Pear	Pear	3-1/2 x 4-1/2	3/8
51N	Rectangular	4-13/16 x 5	7/32	Pear	Pear	4-1/4 x 5-1/4	3/8
52N-L1117	Rectangular	4-7/8 x 5-3/16	7/32	(.285" Thick)	Pear	4-1/4 x 5-1/4	3/8
PB9474	Obround	4-1/8 x 4-7/8	3/16	Oval	Oval	3-1/2 x 4-1/2	3/8
PB9474	Round	3-1/2	3/16	Oval	Oval	3 x 4	3/8
Connelly	Obround	3 x 3-15/16	3/8	Vogt	Oval	3 x 4	5/16
Edge Moor	Oval	4-1/8 x 5-1/4	3/8	Oval	Oval	3-3/8 x 4-1/4	7/32
	Round	2-1/2	1/2	Oval	Oval	3-1/4 x 4-1/2	5/16
	Round	4-1/16	15/32	Oval	Oval	3-3/4 x 5	3/8
Erie City	Pear	3-1/2 x 4-5/8	3/8	Oval	Oval	4 x 5	5/16
	Obround	3 x 4-1/2	3/8	Oval	Oval	4 x 6	3/8
	Oval	3-1/32 x 4-1/32	5/16	Oval	Oval	4-1/4 x 5-1/8	7/32 (new)
	Oval	3-17/32 x 4-17/32	5/16	Oval	Oval	4-1/4 x 5-1/8	5/16 (old)
	Oval	4-1/32 x 5-1/32	5/16	Oval	Oval	4-9/32 X 5-5/32	7/32
	Oval	4-1/32 x 6-1/32	3/8	31/2"	Round	3-19/32	3/8
	Round	3-1/2	3/8	Round	Round	4-1/8	3/8
Foster Wheeler	Diamond	4 x 5	3/8	Ward	Square	4-7/8 x 4-7/8	1/4
23/4"	Obround	2-25/32 x 3-13/32	7/32	Wickes	Pear	4-1/8 x 5-1/8	9/32
	Obround	3 x 4	3/8	Pear	Pear	4-1/4 x 5-1/8	3/8
	Obround	3-11/32 x 3-31/32	7/32	Oval	Oval	3 x 4	5/16
	Oval	4-3/16 x 5-3/16	5/16	D2300	Oval	3-1/2 x 4-1/2	5/16
	Round	15/16	5/32	D2361	Oval	4 x 5	5/16
	Round	2-1/32	13/64	D2724	Oval	4 x 6	5/16
	Round	2-1/32	15/64	Round	Round	4-1/8	3/8
	Round	2-1/8 or 2-1/16	3/8	Round	Round	4-1/4	3/8



TOPOG-E® GASKETS



The steam boiler market makes extreme demands on gaskets; Topog-E® molded rubber gaskets are specifically formulated to meet and exceed these demands and deliver industry standard performance.

Topog-E® Series 180 gaskets have been refined through a series of over 600 research formulation tests to ensure that they are able to meet the exacting performance standards of the steam boiler industry.

Specifically they:

1. Conform to the topography of the mating surfaces
2. Withstand a boiler's full, continuous and cycling operating pressures
3. Withstand continuous exposure to water treatment chemicals
4. Withstand continuous exposure to ion and oxygen attack in hot air
5. Prevent all leakage
6. Replace easily, without chiselling or buffing

MATERIALS

Special, proprietary rubber Composition, black, 80-85 Durometer.

SERVICE SUMMARY

Steam boilers: up to 180 psi (12 bar) and 380° F. (193° C) Water, condensate, etc. vessels: 200+ psi (14 bar) and less than 300°F. (150°C)

APPLICATIONS

When used on steam pressure vessels Topog-E® Series 180 gaskets are typically used at operating pressures of up to 180 PSI (12 bar) and saturated steam temperatures up to 380° F. (193° C) for an average service life of one year. When used in other applications (e.g. condensate, water, and air vessels) Topog-E® Series 180 gaskets are sometimes used at pressures above 200 PSI (14 bar) where temperatures are typically more moderate (e.g. below 250°F./121°C.). When operating under less severe conditions (e.g. water applications at ambient temperatures) Topog-E® Series 180 gaskets can provide very long service lives. Topog-E® Series 180 gaskets have been used successfully around the world for over forty years. In general, any type of industrial pressure vessel or tank that has inspection openings is a potential application where Topog-E® Series 180 gaskets can be used as a cost effective sealing device.

In addition to using them in steam pressure vessels, customers also use Topog-E® molded gaskets and sheet material with great success in many other applications, including:

- Water softeners
- Hot water heaters
- Steam humidifiers and cookers
- Water purifiers and demineralizers
- Refrigeration units
- Liquid treatment vessels
- Carbon absorption and filtering vessels
- Dryer cans in paper mills
- Water hydrants
- Mixing tanks
- Compressed air tanks
- Various types of dryers
- Air starters and receivers
- Deaerators
- Hatch covers
- Water towers and columns
- PVC reactor vessels

INSTALLATION ENVIRONMENT & SUITABILITY

Topog-E® Series 180 gaskets are specifically formulated to have excellent resistance to steam and hot and cold water.

They also have good resistance to:

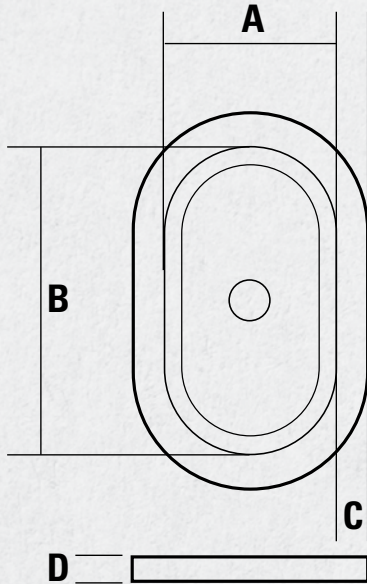
- Alcohols
- Ketones
- Phosphate esters
- Silicone oils and greases
- Dilute acids
- Bases
- Salts
- Glycols
- Ammonia
- Selected refrigerants
- Animal and vegetable fats

Water treatment chemicals, when used in accordance with supplier's guidelines, should not have a significant effect on the service life of properly installed Topog-E® Series 180 gaskets.

Topog-E® Series 180 gaskets are not recommended for use in applications where they see direct exposure to high concentrations of aromatic hydrocarbons, chlorinated solvents, or petroleum based oils, fuels, and lubricants.

TOPOG-E® GASKET SIZES

When ordering, be sure to state the two inside dimensions (A & B), flange width (C), thickness (D), and shape (E, OB, etc.).



SHAPE CODE



Elliptical – E



Pear – P



OB Round – OB



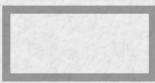
Square – S



Round – R



Special Square – SPS



Rectangle – Rect.



Elliptical Turtle – ET



Diamond – D

SIZE (IN)				SHAPE CODE	TYPE
A	B	C	D		
(unless stated otherwise)					
Elliptical - 'E'					
1-7/8	2-1/2	7/16	-	E	Handhole
1-3/4	3-3/4	3/8	-	E	Handhole
2	3	3/8	-	E	Handhole
2-1/4	3-1/4	1/2	-	E	Handhole
2-1/4	3-3/4	1/2	-	E	Handhole
2-1/2	3-1/4	3/8	-	E	Handhole
2-1/2	3-1/2	1/2	-	E	Handhole
2-3/4	3-1/2	3/8	3/16	E	Handhole
2-1/2	3-3/4	3/8	3/16	E	Bracket
2-3/4	3-1/2	1/2	-	E	Handhole
2-1/2	3-3/4	1/2	-	E	Bracket
2-3/4	3-3/4	5/8	-	E	Handhole
2-3/4	3-3/4	1/2	-	E	Handhole
2-7/8	3-7/8	1/2	-	E	Handhole
3	3-3/4	1/2	-	E	Handhole
2-3/4	4-1/2	5/8	-	E	Handhole
3	4-1/4	5/8	-	E	Bracket
3	4	5/16	-	E	Handhole
3	4	1/2	-	E	Handhole
2-3/4	4-1/4	1/2	-	E	Bracket
3	4	5/8	-	E	Handhole
3	4	3/4	-	E	Handhole
3	4	1-1/2	-	E	Handhole
3	4-1/2	1/2	-	E	Handhole
3	4-1/2	5/8	-	E	Handhole
3	5	9/16	-	E	Handhole
3-1/4	4-3/4	9/16	-	E	Bracket
3-1/4	4-1/4	1/2	-	E	Handhole
3-1/4	4-1/4	3/4	-	E	Handhole
3	4-1/2	3/4	-	E	Bracket
3-1/4	4-1/2	1/2	-	E	Handhole
3-1/4	5	9/16	-	E	Handhole
3-3/8	4-3/8	7/16	-	E	Handhole
3-3/8	4-3/8	9/16	-	E	Handhole
3-1/2	4-1/2	7/16	-	E	Handhole
3-1/2	4-1/2	1/2	-	E	Handhole
3-1/2	4-1/2	5/8	-	E	Handhole
3-1/2	4-1/2	3/4	-	E	Handhole
3-1/2	4-1/2	1-1/2	-	E	Handhole
3-1/2	5	1/2	-	E	Handhole
3-1/2	5	3/4	-	E	Handhole
3-3/4	4-3/4	9/16	-	E	Handhole
3-3/4	5-1/2	9/16	-	E	Handhole
4	5-1/4	9/16	-	E	Bracket
4	5	5/8	-	E	Handhole
3-3/4	5-1/4	5/8	-	E	Bracket

SIZE (IN)				SHAPE CODE	TYPE
A	B	C	D		
(unless stated otherwise)					
3-1/2	5-1/2	5/8	-	E	Bracket
4	4-3/8	1/2	-	E	Handhole
4	5-1/2	3/4	-	E	Handhole
4-1/2	5-1/2	5/8	-	E	Handhole
4	6	5/8	-	E	Handhole
4-1/2	6	3/4	-	E	Handhole
4-1/4	5-1/8	3/8	-	E	Handhole
4-1/2	6-1/2	9/16	-	E	Handhole
4-1/2	6-1/2	1-1/4	-	E	Handhole
4-3/4	6-5/8	3/4	-	E	Handhole
5	6	5/8	-	E	Handhole
5	7	3/4	-	E	Handhole
5-3/4	7-1/4	3/4	-	E	Handhole
6	8	3/4	-	E	Handhole
6	8	1	-	E	Handhole
6	9	1	-	E	Handhole
6	10	5/8	-	E	Handhole
6	10	1	-	E	Handhole
7	9	3/4	-	E	Handhole
7	10	1-1/2	-	E	Handhole
7-1/2	10-1/4	3/4	-	E	Handhole
7-1/2	11-1/2	1	-	E	Manway
7-7/8	11-3/4	1	-	E	Manway
8	10	1	-	E	Manway
8-5/8	12-1/2	1	-	E	Manway
8	11	1	-	E	Manway
9	12	1	-	E	Manway
9	14	1-1/4	-	E	Manway
9-1/2	14	1-1/8	-	E	Manway
9-3/4	14-1/2	2	-	E	Manway
9-3/4	14-3/4	1-1/4	-	E	Manway
9-1/2	15-1/2	1	-	E	Manway
9-15/16	15-15/16	3/4	-	E	Manway
10	14	1	-	E	Manway
10	14	1-1/2	-	E	Manway
10-1/2	14	1-1/4	-	E	Manway
10-1/2	14-1/2	1-1/4	-	E	Manway
10-1/2	14-1/2	1-3/8	-	E	Manway
10	15	1-3/8	-	E	Bracket
10-1/2	15	1-1/4	-	E	Manway
10-1/2	14-1/2	1-3/4	-	E	Manway
10-3/4	14-3/4	1-1/4	-	E	Manway
10	16	5/8	-	E	Manway
11	14	1-3/8	-	E	Manway
11	14	1-1/4	-	E	Manway
11	14-1/2	1	-	E	Manway

SIZE (IN)				SHAPE CODE	TYPE
A	B	C	D		
(unless stated otherwise)					
11	14-3/4	1-1/2	-	E	Manway
11-1/2	14-1/2	1-1/4	-	E	Manway
11	15	3/4	-	E	Manway
11	15	1	3/16	E	Manway
11	15	1	-	E	Manway
11	15	1-1/4	-	E	Manway
11	15	1-3/8	-	E	Manway
11	15	1-3/4	-	E	Manway
11-1/2	15-1/2	1-1/4	-	E	Manway
11-1/2	15-1/2	1-3/4	-	E	Manway
11-3/4	15-3/4	1-3/8	-	E	Manway
11-3/4	15-3/4	1-3/4	-	E	Manway
11	16	1-1/4	-	E	Manway
12	15	1	-	E	Manway
12	15	1-1/4	-	E	Manway
12	15-1/2	1	-	E	Manway
12	15-1/2	1-1/4	-	E	Manway
12	16	1	-	E	Manway
12	16	1-1/4	-	E	Manway
12	16	1-3/8	-	E	Manway
12-1/2	16-1/4	1-1/4	-	E	Manway
12-1/2	16-1/2	1	-	E	Manway
14	18	1-1/2	-	E	Manway
18	24	1-1/2	-	E	Manway
O Round - 'OB' flat sides					
1-3/4	3-3/4	1/2	-	OB	Handhole
2	3	1/2	-	OB	Handhole
2-1/4	3-1/4	1/2	-	OB	Handhole
2-1/4	3-1/4	3/8	-	OB	Handhole
2-1/2	3-1/2	1/2	-	OB	Handhole
2-1/4	3-3/4	9/16	-	OB	Handhole
2	4	9/16	-	OB	Bracket
2-1/2	3-3/4	1/2	3/16	OB	Handhole
2-3/4	3-1/2	1/2	-	OB	Handhole
2-3/4	3-3/4	1/2	-	OB	Handhole
2-7/8	3-7/8	7/16	-	OB	Handhole
2-7/8	4-3/8	9/16	-	OB	Handhole
2-3/4	4-1/2	1/2	-	OB	Handhole
3	4-1/4	1/2	-	OB	Bracket
2-3/4	4-3/4	1/2	-	OB	Handhole
3	4	1/2	-	OB	Handhole
3	4	9/16	-	OB	Handhole
3	4-1/2	9/16	-	OB	Handhole
3-1/4	4-1/4	9/16	-	OB	Handhole
3	5	9/16	-	OB	Handhole
3-1/4	4-1/2	1/2	-	OB	Handhole

* RAGCO supports the autonomy of its locations to select the best products to service their markets. Subtle variations of these specification may exist. Contact your RAGCO affiliate for confirmation.



TOPOG-E® GASKET SIZES

SIZE (IN)				SHAPE CODE	TYPE
A	B	C	D		
(unless stated otherwise)					
3-1/4	4-1/2	9/16	-	OB	Handhole
3-1/4	4-3/4	5/8	-	OB	Handhole
3-1/4	4-3/4	1/2	-	OB	Handhole
3-1/2	4-1/2	9/16	-	OB	Handhole
3	4-3/4	9/16	-	OB	Bracket
3-3/8	4-1/4	3/8	-	OB	Handhole
3-1/2	5	9/16	-	OB	Handhole
3-1/4	5-1/4	9/16	-	OB	Bracket
3-1/2	5-1/2	1/2	-	OB	Handhole
3-1/2	5-1/2	5/8	-	OB	Handhole
3-5/8	5-5/8	7/16	-	OB	Handhole
3-5/8	5-5/8	9/16	-	OB	Handhole
3-5/8	5-5/8	1	-	OB	Handhole
4	5	5/8	-	OB	Handhole
4-1/2	5-1/2	5/8	-	OB	Handhole
4	6	5/8	-	OB	Handhole
4-1/2	6	5/8	-	OB	Handhole
4-1/2	6-1/2	5/8	-	OB	Handhole
4-1/2	10-1/4	3/4	-	OB	Handhole
5	6-3/4	1	-	OB	Handhole
5	7	5/8	-	OB	Handhole
5	7-1/2	1	-	OB	Manway
10-1/2	14-1/2	1-5/16	-	OB	Manway
11	15	1-1/4	-	OB	Manway
12	16	1-1/2	-	OB	Manway
Round 'R'					
Inner 'D'	Outer 'D'	C	D		
1-3/8	2-5/16	-	5/16	R	Handhole
2-7/8	3-5/8	-	1/8	R	Handhole
2-15/16	3-15/16	-	-	R	Handhole
3	3-5/8	-	3/16	R	Handhole
3	3-3/4	-	-	R	Handhole
3	4	-	-	R	Handhole
3-1/4	4	-	-	R	Handhole
3-1/2	4-3/16	-	3/16	R	Handhole
3-1/2	4-1/2	-	-	R	Handhole
3-1/2	5	-	-	R	Handhole
3-1/2	5-1/2	-	-	R	Handhole
3-11/16	4-1/2	-	3/8	R	Handhole
4	4-3/4	-	-	R	Handhole
4	5	-	-	R	Handhole
4	5-1/4	-	3/16	R	Handhole
4-1/4	5-1/16	-	-	R	Handhole
4-1/2	5-1/2	-	3/16	R	Handhole
4-3/4	6-3/8	-	-	R	Handhole
5	6	-	-	R	Handhole

SIZE (IN)				SHAPE CODE	TYPE
Inner 'D'	Outer 'D'	C	D		
(unless stated otherwise)					
5-1/4	8	-	5/16	R	Handhole
5-7/16	7-9/16	-	5/16	R	Handhole
6	7-1/2	-	-	R	Handhole
10-3/4	13-3/8	-	1/8	R	Handhole
12-3/4	16-1/8	-	1/8	R	Handhole
Special Shapes					
1-1/2	3-3/4	-	-	R, 4 Holes	Flange
2	3-1/2	-	-	S, 4 Holes	Flange
7-3/8	7-3/8	5/8	-	S	Handhole
2	6	1-1/2	-	Rect.	Handhole
2-13/16	16-7/8	1-1/16	3/16	Rect.	Handhole
3-3/4	8-1/2	1/2	-	Rect.	Handhole
4-1/2	6	1/4	-	Rect.	Handhole
6-1/4	9-3/4	5/8	-	Rect.	Handhole
3	4	9/16	-	K	Handhole
3-3/8	3-3/4	1/4	1/8	D	
3-3/8	4-1/4	1/4	-	D	Handhole
3-1/2	4-1/2	1/4	-	D	Handhole
4	5	1/2	-	D	Handhole
4-1/4	5-1/4	13/32	-	D	Handhole
3-1/2	4-1/2	7/16	-	P	Handhole
3-3/8	4-3/8	1/2	-	P	Handhole
3-5/8	4-3/4	1/2	-	P	Handhole
4	5	1/2	-	P	Handhole
4	5	9/16	-	N.P.	Handhole
4	5	5/8	-	W.P.	Handhole
4-1/4	5-1/8	1/2	-	SPU.P	Handhole
5-1/4	5-1/4	3/8	-	SPS	Handhole
7-7/16	7-7/16	9/16	-	SPS	Handhole
10	16	1-3/4	-	ET	Manway
8-3/4	14	2-1/4	-	E, w 4 Bolt Holes	Manway
3-7/8	13-3/8	1-3/16	1/8	OB	Flange

DISCLAIMER All information in this data sheet is based on data believed to be reliable, however we make no guarantee or warranty of performance of Topog-E® Series 180 gaskets. Because there are many application-specific factors that can affect service life it is always advisable to first test Topog-E® Series 180 gaskets in a particular application to determine their ultimate suitability.



NOTES

- Standard thickness is 1/4" unless otherwise noted under column D.
- All prices are for Topog-E® Gasket Standard Material (refer to separate Material Specification sheet for more information).
- Prices are F.O.B. Tulsa, Oklahoma 74110.
- Bracketed gaskets are not stock molded sizes, however, the first stock size can often be used on plates designed for the bracketed size.
- A 25% restocking fee may be charged on all returns.
- Special sizes and shapes can be fabricated upon request.
- Topog-E® gaskets can be made from other materials – contact us to receive a Materials Specification Sheet for Alternative Elastomeric Materials.
- We also make chemical tank and water hydrant gaskets.

DISCLAIMER Topog-E® gaskets are made and sold for use in steam, water, air, and other selected applications only. Our recommendations for their use are based on tests believed to be reliable and on actual customer experience. Since their installation and use are beyond our control, we cannot guarantee the results, whether or not such use is in accordance with instructions. We disclaim any responsibility.